

Desenho Técnico

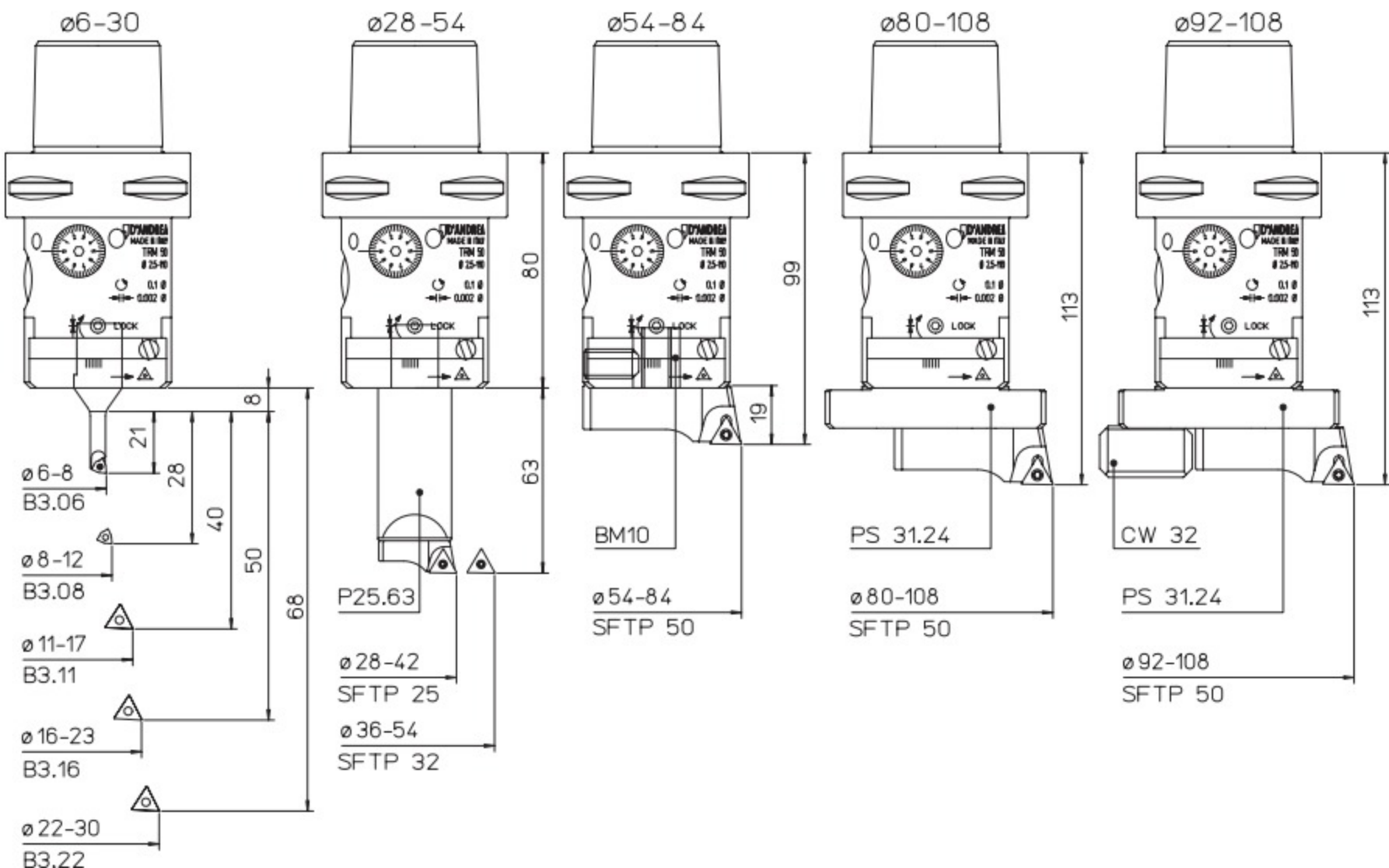


Tabela Técnica

K01 TR 50 - PSC 40 / 50 / 63		
1 TR50-PSC40	1 TR50-PSC50	1 TR50-PSC63
1 P25.63	1 B3.06	1 B3.22
1 BM10	1 B3.08	1 SFTP25
1 PS 31.24	1 B3.11	1 SFTP32
1 CW 32	1 B3.16	1 SFTP50
1 TPGX 110302L DC100		
5 TPGX 090202L DC100		
2 WCGT 020102L DC100		

REF.	CÓDIGO	Ø
K01 TR 50 - PSC40	65 50 604 1050 1	6 ~ 108
K01 TR 50 - PSC50	65 50 605 1050 1	
K01 TR 50 - PSC63	65 50 606 1050 1	